



COSBY® BATHBOARD

STANDARD 6407

HEAVY DUTY 64075

Welcome to your new Gordon Ellis product.
We hope that it proves a useful aid in your daily life.



EN ANY SERIOUS ACCIDENT OCCURRING THROUGH USE SHOULD BE REPORTED TO THE EC REP (EU CUSTOMERS) OR THE MANUFACTURER (UK & NON-EU CUSTOMERS) - CONTACT DETAILS OVER LEAF
FR TOUT ACCIDENT GRAVE SURVENU LORS DE L'UTILISATION DOIT ÊTRE SIGNALÉ AU EC REP - COORDONNÉES SUR LA FEUILLE
DE JEDER SCHWERE UNFALL, DER DURCH DEN GEBRAUCH ENTSTEHT, SOLLTE DEM EC REP GEMELDET WERDEN - KONTAKTDATEN ÜBER BLATT
IT EVENTUALI INCIDENTI GRAVI CHE SI VERIFICANO DURANTE L'USO DEVONO ESSERE SEGNALATI AL EC REP - I DETTAGLI DI CONTATTO SULL'ANTA
ES CUALQUIER ACCIDENTE GRAVE QUE OCURRA DURANTE EL USO DEBE INFORMARSE AL EC REP - DETALLES DE CONTACTO EN LA HOJA
PT QUALQUER ACIDENTE GRAVE QUE OCORRA ATRAVÉS DO USO DEVE SER RELATADO AO EC REP - DETALHES DE CONTATO NA FOLHA
NL ELK ERNSTIG ONGEVAL DAT ZICH VOORDOET DOOR GEBRUIK MOET WORDEN GEMELD AAN DE EC REP - CONTACTGEGEVENS VIA BLAD
EL ΟΠΟΙΟΔΗΠΟΤΕ ΣΟΒΑΡΟ ΑΤΥΧΗΜΑ ΠΟΥ ΣΥΜΒΑΙΝΕΙ ΚΑΤΑ ΤΗ ΧΡΗΣΗ ΠΡΕΠΕΙ ΝΑ ΑΝΑΦΕΡΤΑΙ ΣΤΟ EC REP - ΣΤΟΙΧΕΙΑ ΕΠΙΚΟΙΝΩΝΙΑΣ ΠΑΝΩ ΑΠΟ ΤΟ ΦΥΛΟ
DK ENHVER ALVORLIG ULYKKE, DER OPSTÅR VED BRUG, SKAL RAPPORTERES TIL EC REP - KONTAKTOPLYSNINGER OVER BLAD
SE VARJE ALLVARLIG OLYCKA SOM INTRÄFFAR GENOM ANVÄNDNING SKA RAPPORTERAS TILL EC REP - KONTAKTINFORMATION ÖVER BLAD
NO ENHVER ALVORLIG ULYKKE SOM OPPSTÅR VED BRUK, SKAL RAPPORTERES TIL GORDON ELLIS & CO. - KONTAKTINFORMASJON OVER BLAD
FI KAIKISTA KÄYTÖN KAULTA TAPAHTUVISTA VAKAVISTA ONNETTOMUUKSISTA TULISI ILMOITAA EC REP - YHTEYSTIEDOT LEHDEN YLI



SEE REVERSE FOR FITTING INSTRUCTIONS
AVAILABLE IN THE FOLLOWING LANGUAGES:

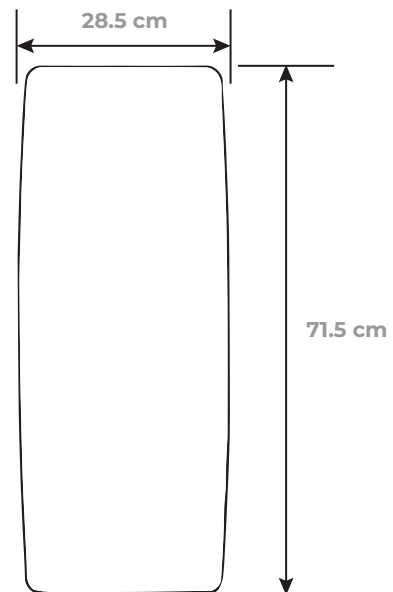
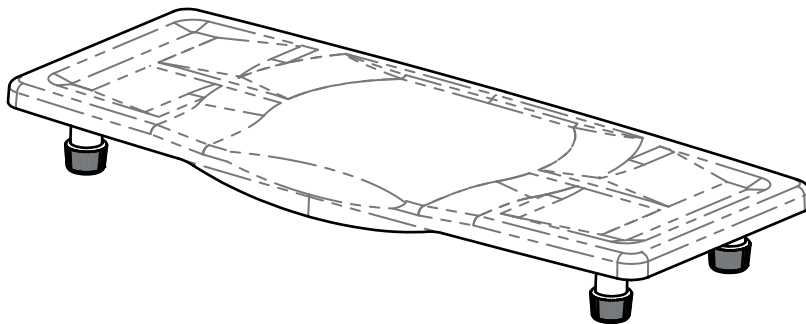
EN FR DE IT ES PT NL DK SE NO FI EL



6407 STANDARD 64075 HEAVY DUTY



Your COSBY® BATHBOARD was specifically developed by our UK Design Team with the intention of compensating for an injury, or overcoming a temporary or permanent disability. Hopefully making daily living that little bit easier.



GORDON ELLIS & CO.
TRENT LANE
CASTLE DONINGTON
DERBY. ENGLAND DE74 2AT

EC REP

AUTHORISED REPRESENTATIVE
ADVENA LTD, TOWER BUSINESS CENTRE, 2ND
FLOOR, TOWER STREET, SWATAR, BKR 4013
MALTA



MD

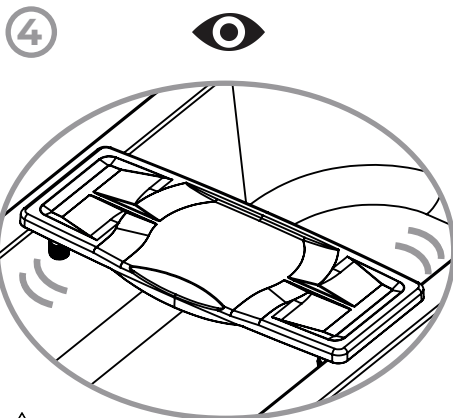
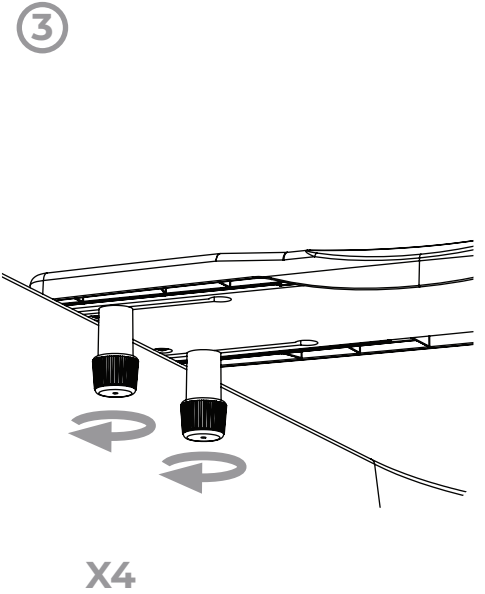
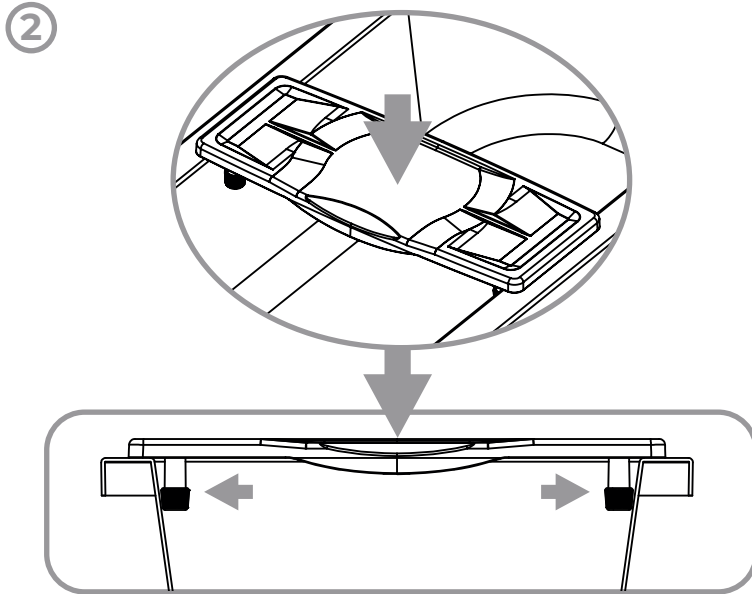
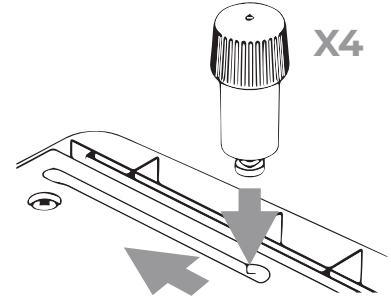
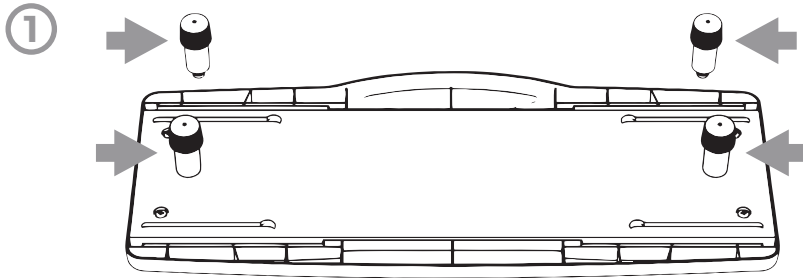
IFU-REF 6407/0820-3

PART REF 6407 + 64075

VIEW THE ENTIRE RANGE ONLINE AT
GORDONELLISHEALTHCARE.CO.UK

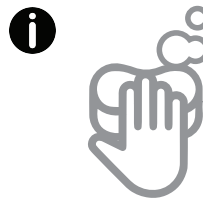
gordonellis.healthcare
[@EllisHealthcare](https://twitter.com/EllisHealthcare)





TEST FOR STABILITY
AUF STABILITÄT PRÜFEN
VAKAVUUSTESTI
TEST OP STABILITEIT
TEST FOR STABILITET
TESTE DE ESTABILIDADE

TEST DE STABILITÉ
VERIFICA LA STABILITÀ
ΔΟΚΙ Η ΣΤΑΘΕΡΟΤΗΤΑΣ
PRUEBA DE ESTABILIDAD
TESTA FÖR STABILITET



PH 5 - 9

CLEANING INSTRUCTIONS
INSTRUCTIONS DE NETTOYAGE
REINIGUNGSANWEISUNGEN
ISTRUZIONI PER LA PULIZIA
INSTRUCCIONES DE LIMPIEZA
INSTRUÇÕES DE LIMPEZA
SCHOONMAAK INSTRUCTIES
ΟΔΗΓΙΕΣ ΚΑΘΑΡΙΣΜΟΥ
RENGØRINGSINSTRUKTIONER
RENGØRINGSINSTRUKTIONER
RENGJØRINGSINSTRUKSJONER
PUHDISTUSOHJEET

WIPE DOWN WITH A NON-ABRASIVE CLOTH AND SOAPY WATER
ESSUYER AVEC UN CHIFFON NON ABRASIF ET DE L'EAU SAVONNEUSE
MIT EINEM NICHT SCHEUERNDEN TUCH UND SEIFENWASSER ABWISCHEN
PULIRE CON UN PANNONON ABRASIVO E ACQUA SAPONOSA
LIMPE COM UN PAÑO NO ABRASIVO Y AGUA JABONOSA.
LIMPE COM UM PANO NÃO ABRASIVO E ÁGUA COM SABÃO
AFNEMEN MET EEN NIET-SCHURENDE DOEK EN ZEERACHTIG WATER
ΣΚΟΥΠΙΣΤΕ ΜΕ ΕΝΑ ΜΗ ΛΕΙΑΝΤΙΚΟ ΠΑΝΙ ΚΑΙ ΣΑΠΟΥΝΟΝΕΡΟ
AFTØR MED EN IKKE-SLIBENDE KLUD OG SÆBEVAND
TØRK AV MED EN IKKE-SLIPANDE TRASA OCH TVÅLVATTEN
TØRK AV MED EN IKKE-SLIPENDE KLUT OG SÅPEVANN
PYYHI HIOVALLA LIINALLA JA SAIPPUAVEDELLÄ