

# PRIMA<sup>®</sup> LIFT

## TOILET SEAT RAISER

PART No. 66190



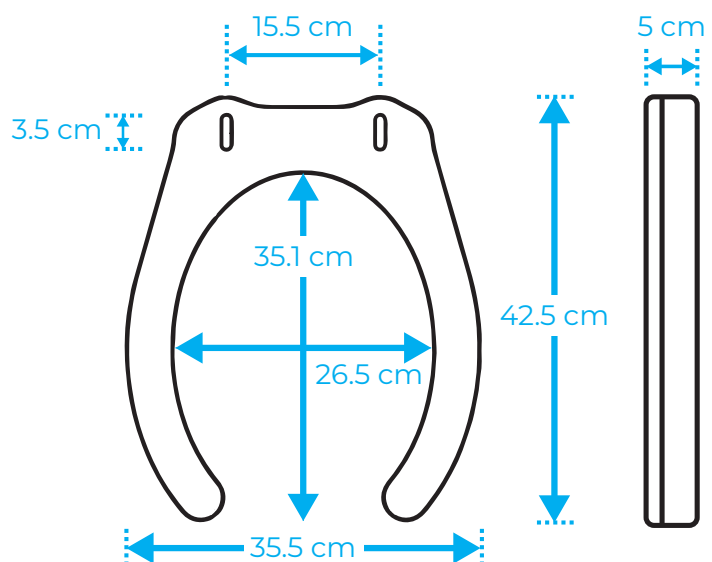
### TECHNICAL SPECIFICATIONS:



**190 kg**  
**30 stone**  
**420 lbs**

Product weight (minus fixings): 0.5 kg

Shipping weight: 0.8 kg



This product should be recycled according to national guidelines

Complies with **ISO 17966:2016** standards for Assistive Products



**View our entire range online at [gordonellishealthcare.co.uk](http://gordonellishealthcare.co.uk)**

Gordon Ellis & Co, Trent Lane, Castle Donington, Derby, DE74 2AT, England.

[enquiries@gordonellis.co.uk](mailto:enquiries@gordonellis.co.uk)

TEL: +44(0) 1332 810504

Company registered in England: No. 231734

VAT No. GB 428 4666 26