

# DERBY

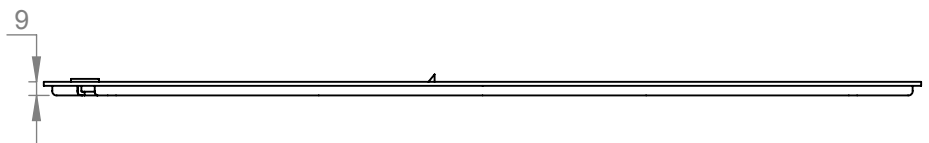
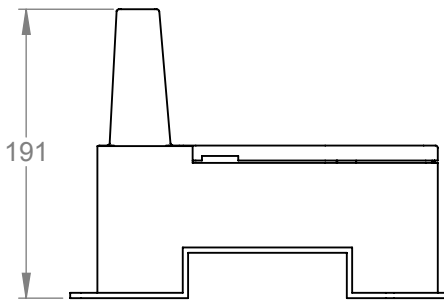
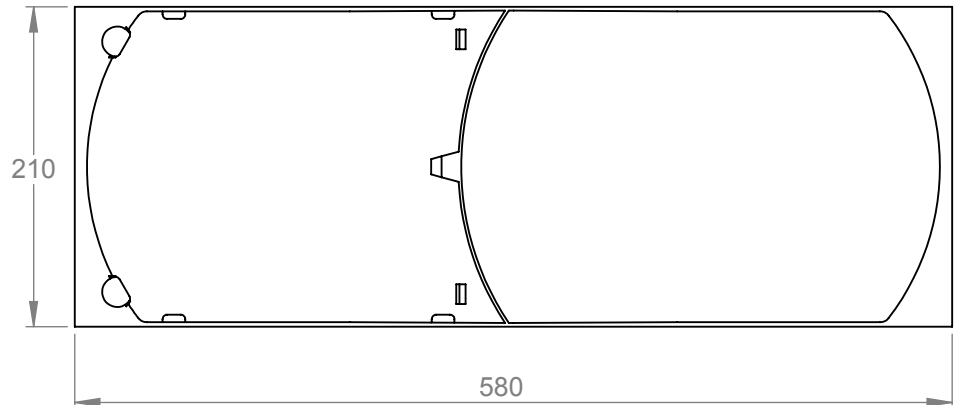
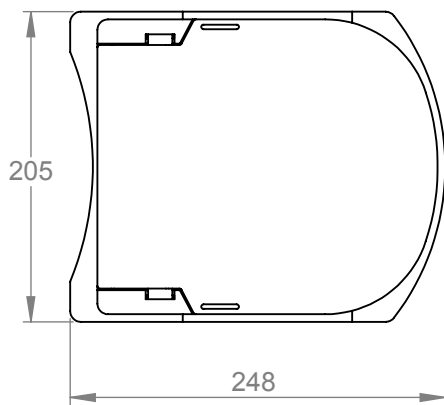
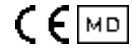
## TIPPER AND STABILITY BASE

Part No: 6031/W, 61031/W, 60315/W



GORDON  
ELLIS  
& CO

### PRODUCT DRAWING



### TECHNICAL SPECIFICATIONS



n/a kg  
n/a lbs

MATERIAL(S): ABS



CONSULT INSTRUCTIONS FOR USE



Gordon Ellis & Co. Trent Lane, Castle Donington, Derby. DE74 2AT. England

View our entire range online at: [GordonEllisHealthcare.co.uk](http://GordonEllisHealthcare.co.uk)