



DELUXE COMMODE CHAIR

Welcome to your new Gordon Ellis product.
We hope that it proves a useful aid in your daily life.

- EN** ANY SERIOUS ACCIDENT OCCURRING THROUGH USE SHOULD BE REPORTED TO THE EC REP (EU CUSTOMERS) OR THE MANUFACTURER (UK & NON-EU CUSTOMERS) - CONTACT DETAILS OVER LEAF
- DE** JEDER SCHWERE UNFALL, DER DURCH DEN GEBRAUCH ENTSTEHT, SOLLTE DEM EC REP GEMELDET WERDEN - KONTAKTDATEN ÜBER BLATT
- IT** EVENTUALI INCIDENTI GRAVI CHE SI VERIFICANO DURANTE L'USO DEVONO ESSERE SEGNALATI AL EC REP - I DETTAGLI DI CONTATTO SULL'ANTA
- NL** ELK ERNSTIG ONGEVAL DAT ZICH VOORDOET DOOR GEBRUIK MOET WORDEN GEMELD AAN DE EC REP - CONTACTGEGEVENS VIA BLAD
- FR** TOUT ACCIDENT GRAVE SURVENU LORS DE L'UTILISATION DOIT ÊTRE SIGNALÉ AU EC REP - COORDONNÉES SUR LA FEUILLE
- SE** VARJE ALLVARLIG OLYCKA SOM INTRÄFFAR GENOM ANVÄNDNING SKA RAPPORTERAS TILL EC REP - KONTAKTINFORMATION ÖVER BLAD
- ES** CUALQUIER ACCIDENTE GRAVE QUE OCURRA DURANTE EL USO DEBE INFORMARSE AL EC REP - DETALLES DE CONTACTO EN LA HOJA
- NO** ENHVER ALVORLIG ULYKKE SOM OPPSTÅR VED BRUK, SKAL RAPPORTERES TIL GORDON ELLIS & CO. - KONTAKTINFORMASJON OVER BLAD
- FI** KAIKISTA KÄYTÖN KAULTA TAPAHTUVISTA VAKAVISTA ONNETTOMUUKSISTA TULISI ILMOITTA EC REP - YHTEYSTIEDOT LEHDEN YLI
- PT** QUALQUER ACIDENTE GRAVE QUE OCORRA ATRAVÉS DO USO DEVE SER RELATADO AO EC REP - DETALHES DE CONTATO NA FOLHA
- EL** ΟΠΟΙΟΔΗΠΟΤΕ ΣΟΒΑΡΟ ΑΤΥΧΗΜΑ ΠΟΥ ΣΥΜΒΑΙΝΕΙ ΚΑΤΑ ΤΗ ΧΡΗΣΗ ΠΡΕΠΕΙ ΝΑ ΑΝΑΦΕΡΕΤΑΙ ΣΤΟ EC REP - ΣΤΟΙΧΕΙΑ ΕΠΙΚΟΙΝΩΝΙΑΣ ΠΑΝΩ ΑΠΟ ΤΟ ΦΥΛΛΟ
- DK** ENHVER ALVORLIG ULYKKE, DER OPSTÅR VED BRUG, SKAL RAPPORTERES TIL EC REP - KONTAKTOPLYSNINGER OVER BLAD



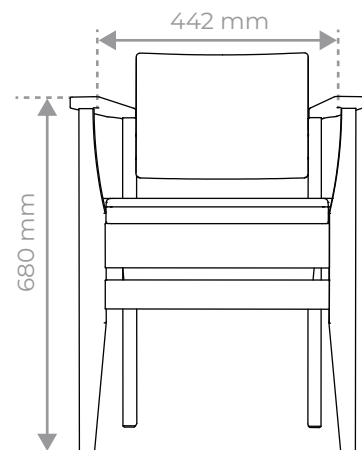
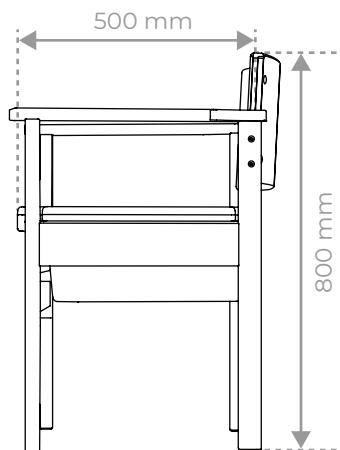
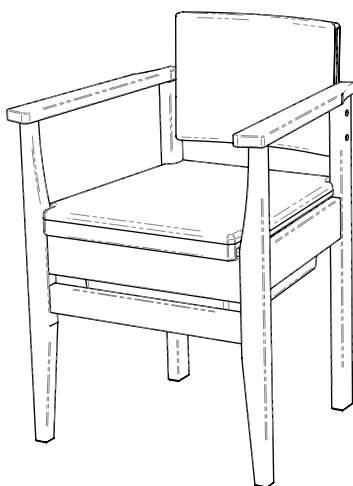
SEE REVERSE FOR FITTING INSTRUCTIONS
AVAILABLE IN THE FOLLOWING LANGUAGES:
EN DE IT NL FR SE ES NO FI PT EL DK



MAX WEIGHT	POIDS MAXIMUM	ENIMMÄISPAINO
MAXIMALGEWICHT	MAX VIKT	PESO MÁXIMO
PESO MASSIMO	PESO MÁXIMO	ΜΕΓΙΣΤΟ ΒΑΡΟΣ
MAXIMUM GEWICHT	MAKS VEKT	MAKS. VÆGT

Your DELUXE COMMODE CHAIR was specifically developed by our UK Design Team with the intention of compensating for an injury, or overcoming a temporary or permanent disability. Hopefully making daily living that bit easier.

i 55100/CN, 55100/FB, 55100/PB, 55100/TP, 55100/BR



PART REF
55100/CN, 55100/FB, 55100/PB, 55100/TP, 55100/BR

GORDON ELLIS & CO.
TRENT LANE
CASTLE DONINGTON
DERBY. ENGLAND DE74 2AT

EC REP

AUTHORISED REPRESENTATIVE:
ADVENA LTD. TOWER BUSINESS
CENTRE, 2ND FLR, TOWER STREET,
SWATAR, BKR 4013 MALTA

VIEW THE ENTIRE RANGE ONLINE AT
GORDONELLISHEALTHCARE.CO.UK

[gordonellis.healthcare](https://www.facebook.com/gordonellis.healthcare)
 @EllisHealthcare





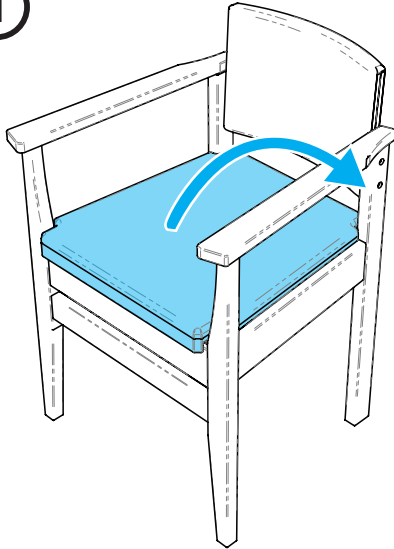
55100/CN, 55100/FB, 55100/PB, 55100/TP, 55100/BR

COMMODE INSTRUCTIONS
KOMMODENANWEISUNGEN
ISTRUZIONI COMODE
COMMODE INSTRUCTIES

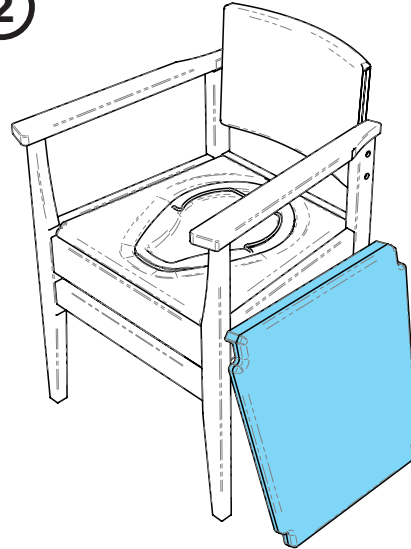
INSTRUCTIONS DE GARDE-ROBE
KOMMODEINSTRUKTIONER
INSTRUCCIONES DE INODORO
KOMMODEINSTRUKSJONER

KOMODE-OHJEET
INSTRUÇÕES DE CÔMODA
ΟΔΗΓΙΕΣ ΚΟΜΟ
KOMMODEINSTRUKTIONER

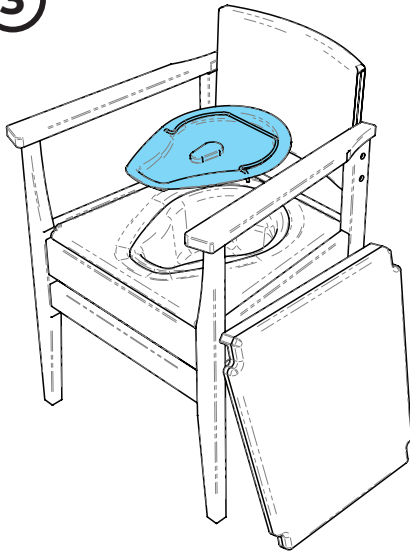
1



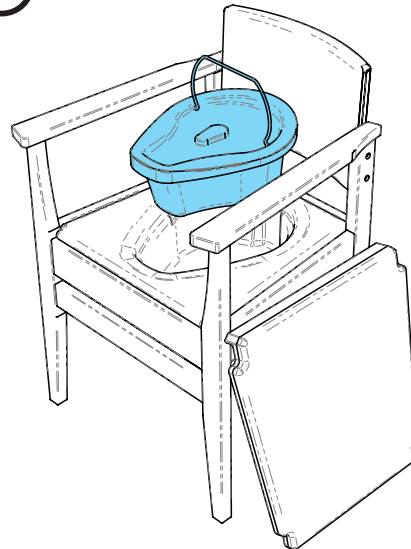
2



3



4



PH 5 - 9

CLEANING INSTRUCTIONS
REINIGUNGSANWEISUNGEN
INSTRUCCIONES DE LIMPIEZA
SCHOONMAAK INSTRUCTIES
RENGÖRINGSINSTRUKTIONER
PUHDISTUSOHJEET

INSTRUCTIONS DE NETTOYAGE
ISTRUZIONI PER LA PULIZIA
INSTRUÇÕES DE LIMPEZA
RENGÖRINGSINSTRUKTIONER
RENGÖRINGSINSTRUKSJONER
ΟΔΗΓΙΕΣ ΚΑΘΑΡΙΣΜΟΥ

WIPE DOWN WITH A NON-ABRASIVE CLOTH AND SOAPY WATER
ESSUYER AVEC UN CHIFFON NON ABRASIF ET DE L'EAU SAVONNEUSE
MIT EINEM NICHT SCHEUERNDEN TUCH UND SEIFENWASSER ABWISCHEN
PULIRE CON UN PANNINO NON ABRASIVO E ACQUA SAPONOSA
LIMPIE CON UN PAÑO NO ABRASIVO Y AGUA JABONOSA
LIMPE COM UM PAÑO NÃO ABRASIVO E ÁGUA COM SABÃO
AFNEMEN MET EEN NIET-SCHURENDE DOEK EN ZEEPACHTIG WATER
AFTØR MED EN IKKE-SLIBENDE KLUD OG SÆBEVAND
TØRK AV MED EN IKKE-SLIPANDE TRASA OCH TVÅLVATTEN
TØRK AV MED EN IKKE-SLIPENDE KLUT OG SÆPEVANN
PYYHI HIOVALLA LIINALLA JA SAIPPUAVEDELLÄ
ΣΚΟΥΠΙΣΤΕ ΜΕ ΕΝΑ ΜΗ ΛΕΙΑΝΤΙΚΟ ΠΑΝΙ ΚΑΙ ΣΑΠΟΥΝΟΝΕΡΟ

