



# ROYALE® COMMODE STANDARD & EXTRA WIDE

Welcome to your new Gordon Ellis product.  
We hope that it proves a useful aid in your daily life.

**EN** ANY SERIOUS ACCIDENT OCCURRING THROUGH USE SHOULD BE REPORTED TO THE EC REP (EU CUSTOMERS) OR THE MANUFACTURER (UK & NON-EU CUSTOMERS) - CONTACT DETAILS OVER LEAF

**DE** JEDER SCHWERE UNFALL, DER DURCH DEN GEBRAUCH ENTSTEHT, SOLLTE DEM EC REP GEMELDET WERDEN - KONTAKTDATEN ÜBER BLATT

**IT** EVENTUALI INCIDENTI GRAVI CHE SI VERIFICANO DURANTE L'USO DEVONO ESSERE SEGNALATI AL EC REP - I DETTAGLI DI CONTATTO SULL'ANTA

**NL** ELK ERNSTIG ONGEVAL DAT ZICH VOORDOET DOOR GEBRUIK MOET WORDEN GEMELD AAN DE EC REP - CONTACTGEGEVENS VIA BLAD

**FR** TOUT ACCIDENT GRAVE SURVENU LORS DE L'UTILISATION DOIT ÊTRE SIGNALÉ AU EC REP - COORDONNÉES SUR LA FEUILLE

**SE** VARJE ALLVARLIG OLYCKA SOM INTRÄFFAR GENOM ANVÄNDNING SKA RAPPORTERAS TILL EC REP - KONTAKTINFORMATION ÖVER BLAD

**ES** CUALQUIER ACCIDENTE GRAVE QUE OCURRA DURANTE EL USO DEBE INFORMARSE AL EC REP - DETALLES DE CONTACTO EN LA HOJA

**NO** ENHVER ALVORLIG ULYKKE SOM OPPSTÅR VED BRUK, SKAL RAPPORTERES TIL GORDON ELLIS & CO. - KONTAKTINFORMASJON OVER BLAD

**FI** KAIKISTA KÄYTÖN KAULTA TAPAHTUVISTA VAKAVISTA ONNETTOMUUKSISTA TULISI ILMOITAA EC REP - YHTEYSTIEDOT LEHDEN YLI

**PT** QUALQUER ACCIDENTE GRAVE QUE OCORRA ATRAVÉS DO USO DEVE SER RELATADO AO EC REP - DETALHES DE CONTATO NA FOLHA

**EL** ΟΠΟΙΟΔΗΠΟΤΕ ΣΟΒΑΡΟ ΑΤΥΧΗΜΑ ΠΟΥ ΣΥΜΒΑΙΝΕΙ ΚΑΤΑ ΤΗ ΧΡΗΣΗ ΠΡΕΠΕΙ ΝΑ ΑΝΑΦΕΡΤΑΙ ΣΤΟ EC REP - ΣΤΟΙΧΕΙΑ ΕΠΙΚΟΙΝΩΝΙΑΣ ΠΑΝΩ ΑΠΟ ΤΟ ΦΥΛΛΟ

**DK** ENHVER ALVORLIG ULYKKE, DER OPSTÅR VED BRUG, SKAL RAPPORTERES TIL EC REP - KONTAKTOPPLYSNINGER OVER BLAD



SEE REVERSE FOR FITTING INSTRUCTIONS  
AVAILABLE IN THE FOLLOWING LANGUAGES:  
EN DE IT NL FR SE ES NO FI PT EL DK



MAX WEIGHT  
MAXIMALGEWICHT  
PESO MASSIMO  
MAXIMUM GEWICHT

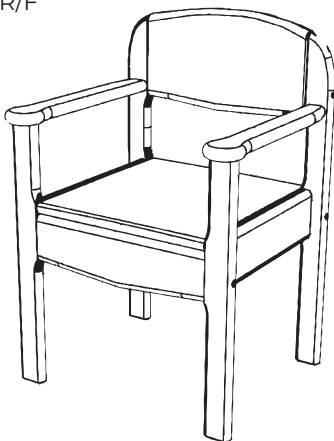
POIDS MAXIMUM  
MAX VIKT  
PESO MÁXIMO  
MAKS VEKT

ENIMMÄISPAINO  
PESO MÁXIMO  
ΜΕΓΙΣΤΟ ΒΑΡΟΣ  
MAKS. VÆGT

Your ROYALE® COMMODE was specifically developed by our UK Design Team with the intention of compensating for an injury, or overcoming a temporary or permanent disability. Hopefully making daily living that little bit easier.

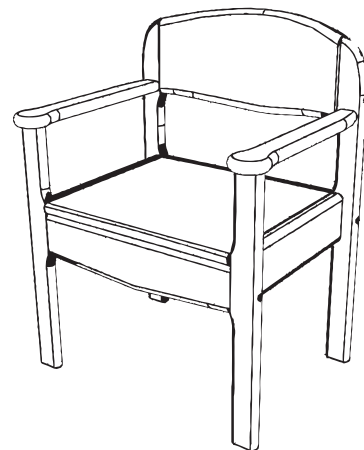
## STANDARD

5505/A, 5505/F, 55059/BL, 55059/GR,  
55059/BR, 55059/BL/F, 55059/GR/F,  
55059/BR/F



## EXTRA WIDE

5501, 5501/F, 55019/BR, 55019/BL,  
55019/GR



DESIGNED  
& MADE  
IN THE UK



PART REF

5505/A, 5505/F,  
55059/BR/F, 55059/BL,  
55059/BL/F, 55059/GR,  
55059/GR/F



GORDON ELLIS & CO.  
TRENT LANE  
CASTLE DONINGTON  
DERBY, ENGLAND DE74 2AT

EC REP

AUTHORISED REPRESENTATIVE:  
ADVENA LTD. TOWER BUSINESS  
CENTRE, 2ND FLR, TOWER STREET,  
SWATAR, BKR 4013 MALTA

VIEW THE ENTIRE RANGE ONLINE AT  
**GORDONELLISHEALTHCARE.CO.UK**

[gordonellis.healthcare](http://gordonellis.healthcare)  
[@EllisHealthcare](https://twitter.com/EllisHealthcare)



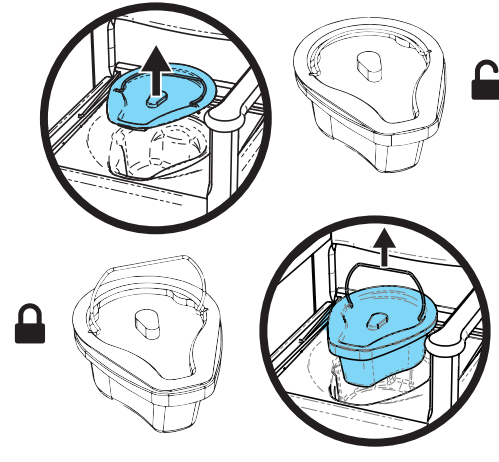
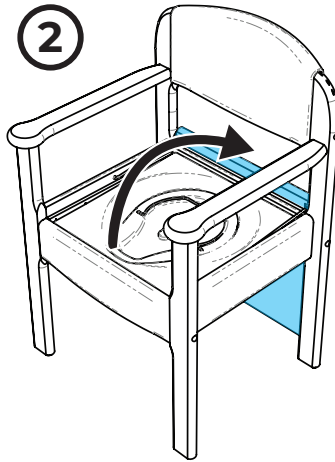
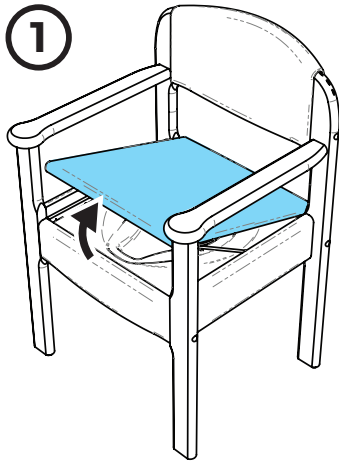
# STANDARD & EXTRA WIDE

5505/A, 5505/F, 55059/BL, 55059/GR, 55059/BR, 55059/BL/F, 55059/GR/F, 55059/BR/F, 5501, 5501/F, 55019/BR, 55019/BL, 55019/GR

**COMMODE INSTRUCTIONS**  
KOMMODENANWEISUNGEN  
ISTRUZIONI COMODE  
COMMODE INSTRUCTIES

**INSTRUCTIONS DE GARDE-ROBE**  
KOMMODEINSTRUKTIONER  
INSTRUCCIONES DE INODORO  
KOMMODEINSTRUKSJONER

**KOMODE-OHJEET**  
INSTRUÇÕES DE CÔMODA  
ΟΔΗΓΙΕΣ ΚΟΜΟ  
KOMMODEINSTRUKTIONER



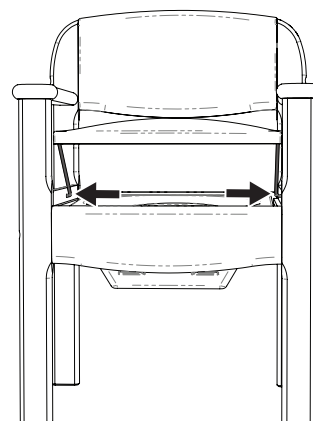
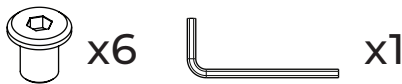
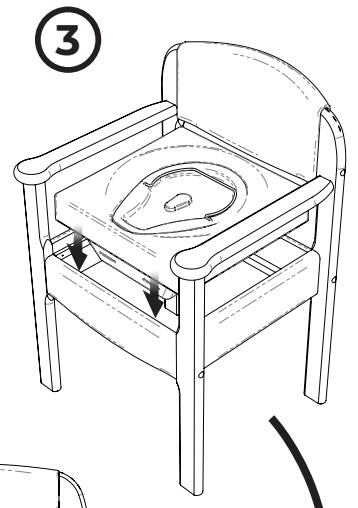
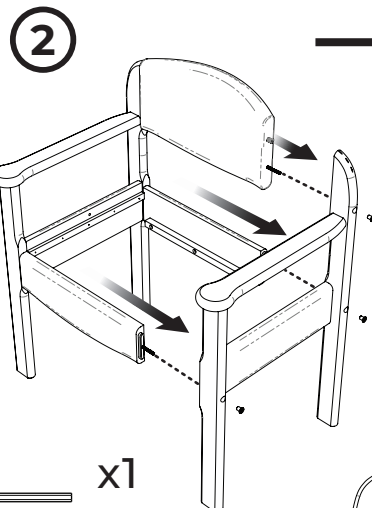
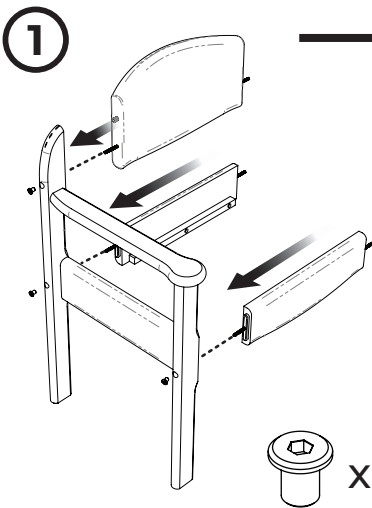
**i** NOTE: EXTRA WIDE VERSION IS SUPPLIED WITH A LIFT OFF SEAT AND **DOES NOT** HAVE A HINGED SEAT.

**i** 5505/F, 55059/BL/F, 55059/GR/F, 55059/BR/F, 5501/F,

**FLAT-PACK INSTRUCTIONS**  
FLAT PACK ANWEISUNGEN  
ISTRUZIONI FLAT PACK  
FLAT PACK INSTRUCTIES

**INSTRUCTIONS DE PACK PLAT**  
INSTRUKTIONER PLATT FÖRPACKNING  
INSTRUCCIONES DE PAQUETE PLANO  
INSTRUKSJONER FOR FLAT PAKKE

**LITTEÄN PAKKAUKSEN OHJEET**  
INSTRUÇÕES DE EMBALAGEM PLANA  
ΟΔΗΓΙΕΣ ΕΠΙΠΕΔΗΣ ΣΥΣΚΕΥΑΣΙΑΣ  
INSTRUKTIONER TIL FLAD PAKKE



**i**  
**PH 5 - 9**

**CLEANING INSTRUCTIONS**  
REINIGUNGSANWEISUNGEN  
INSTRUCCIONES DE LIMPIEZA  
SCHOONMAAK INSTRUCTIES  
RENGÖRINGSINSTRUKTIONER  
PUHDISTUSOHJEET

**INSTRUCTIONS DE NETTOYAGE**  
ISTRUZIONI PER LA PULIZIA  
INSTRUÇÕES DE LIMPEZA  
RENGÖRINGSINSTRUKTIONER  
RENGÖRINGSINSTRUKSJONER  
ΟΔΗΓΙΕΣ ΚΑΘΑΡΙΣΜΟΥ

WIPE DOWN WITH A NON-ABRASIVE CLOTH AND SOAPY WATER  
ESSUYER AVEC UN CHIFFON NON ABRASIF ET DE L'EAU SAVONNEUSE  
MIT EINEM NICHT SCHEUERNDEN TUCH UND SEIFENWASSER ABWISCHEN  
PULIRE CON UN PANNINO NON ABRASIVO E ACQUA SAPONOSA  
LIMPIE CON UN PAÑO NO ABRASIVO Y AGUA JABONOSA  
LIMPE COM UM PAÑO NÃO ABRASIVO E ÁGUA COM SABÃO  
AFNEMEN MET EEN NIET-SCHURENDE DOEK EN ZEEPACHTIG WATER  
AFTØR MED EN IKKE-SLIBENDE KLUD OG SÆBEVAND  
TORKA AV MED EN IKKE-SLIPANDE TRASA OCH TVÄLVATTEN  
TØRK AV MED EN IKKE-SLIPENDE KLUT OG SÅPEVANN  
PYYHI HIOVALLA LIINALLA JA SAIPPUAVEDELLÄ  
ΣΚΟΥΠΙΣΤΕ ΜΕ ΕΝΑ ΜΗ ΛΕΙΑΝΤΙΚΟ ΠΑΝΙ ΚΑΙ ΣΑΠΟΥΝΟΝΕΡΟ