

PRIMA TOILET AID

FLAT PACK RANGE

Part No: 68001/FP, 68021/H/FP, 68011/FP/R, 68011/FP/B



GORDON
ELLIS
& CO

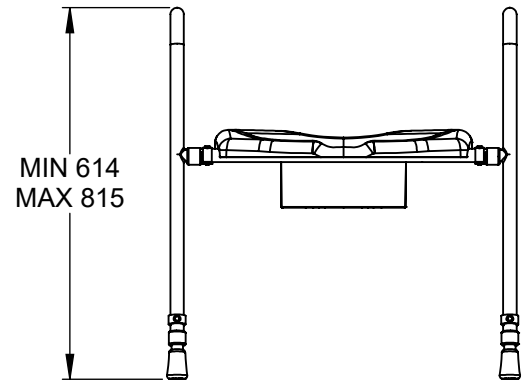
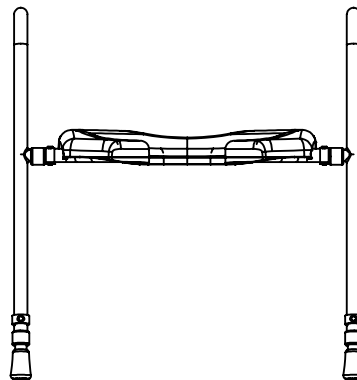
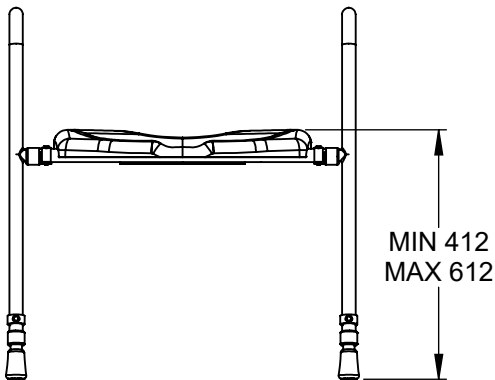
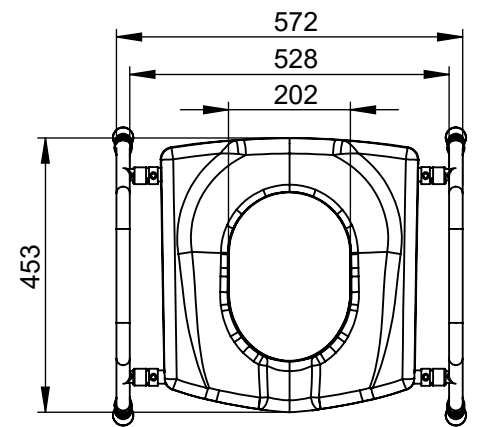
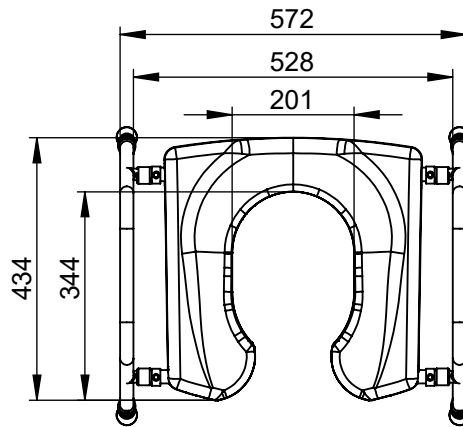
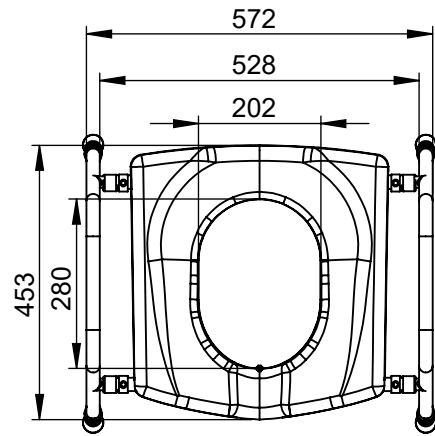
PRODUCT DRAWING



68001/FP

68021/H/FP

68011/FP/R + 68011/FP/B



HEIGHTS ARE THE SAME ACROSS ALL VARIANTS

TECHNICAL SPECIFICATIONS



MATERIAL(S): PP, TPE, MILD STEEL

CONSULT INSTRUCTIONS FOR USE

Gordon Ellis & Co. Trent Lane, Castle Donington, Derby. DE74 2AT. England

View our entire range online at: GordonEllisHealthcare.co.uk